

G25IRHD Series

High Resolution Mini PTZ Camera



Technical Specifications

Zoom spec

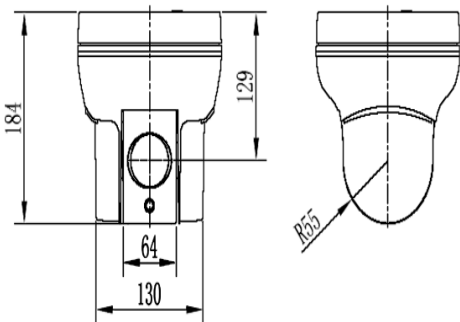
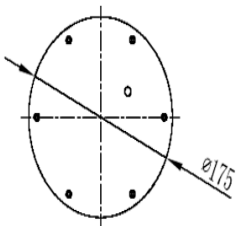
Zoom lens	Optical 3X	Optical 10X
Image Element	1/2.8 type CMOS Image sensor	
Effective Pixel	2200(H) X 1125(V)	
Video output	1080P30/25, 1080I/60(30FPS), 1080I/50(25FPS), 720P60/50	
Lens	3.0 mm(Wide)~9.0mm(Tele)	5.1mm(Wide)~51mm(Tele)
Angle of View	90°(Wide)~32°(Tele)	Horizontal: 56.7°(Wide)~4.65°(Tele) Vertical: 32.5°(Wide)~3.8°(Tele)
Mini illumination	Color:1.0 Lux	B/W :0.05Lux
Sync system	Internal	
Shutter Speed	1/60~1/10000S	
Color Gain	60%-200%	
White Balance	Auto/ Manual	
S/N ratio	≥50db	
Backlight Compression	YES	
Auto ICR	YES	
WDR	Yes	
Privacy Masking	4	

Mechanical spec

Power supply	AC 24V/DC12V	
Power consumption	24W	
IR light control	Manual/Auto(auto adjust according to zoom time and speed)	
Manual speed	Pan 0.4°~240°Tilt 0.4°~120°	
Preset speed	Pan 240°/s,Tilt 120°/s	
Rotation	Pan 360°continuously, Tilt 0-90° with auto-flip	
Speed proportion	Auto-adjust speed per the focus length	
Preset	128 presets, titles can be set	
Auto-flip	Tilt down 90°, with auto-flip 180°	
Scan	355° programmable, 4 scan	
Display zone	8 programmable zones with titles	
Alarm Function	1 alarm input/ 1 alarm output	
Sync	Internal/ External	
Decoder	Built-in	
Remote controlling	RJ45	
ID range	1	
Environment temperature	(-30~50)°C	
Environment humidity	0-95%(Non-condensation)	
Protection grade	IP66, built-in 4000V lightning-proof, surge-proof,	
Housing	wave-proof, all-day defend cover	
Gross weight	3.5KGS(without bracket)	
Dimension	184mm*Φ178	

Features

- Onvif support
- IR LED
- H.264/H.265/ video encode, dual-stream, High compression
- IP66
- Alarm
- Support SD Card



IP spec	
Video coding	H.264 Main Profile MJPEG/JPEG Baseline/ H.265
Image resolution resolution (Main)	50Hz:25fps(2048×1536)、25fps(1920×1080)、50fps(1920×1080) 60Hz:30fps(2048×1536)、30fps(1920×1080)、60fps(1920×1080)
Image resolution resolution(Secondary)	50Hz:25fps(704×576)、25fps(352×288)、50fps(704×576)、50fps(352×288) 60Hz:30fps(704×480)、30fps(352×240)、60fps(704×480)、60fps(352×240)
Video coding bitrate	32Kbps~16Mbps adjustable, support CBR/VBR
Information display	Dome title, Preset, scan mode, scan title, zone scan, Zoom value, coordinate, Alarm, Date&Time
Audio coding	AAC, G.711, G.726support 32K stereo
Data record	Video, image file
Record mode	Manual, Auto(cyclic, Timing, Alarm, Motion-detect)
Alarm	E-mail, explorer, Management software
Protocol	TCP/IP, UDP, RTP, RTSP, RTCP, HTTP, DNS, DDNS, DHCP, FTP, NTP, PPPOE, SMTP, UPNP, IPV4
Client browser	Windows Mobile, Symbian, iPhone, Android

VIDO.AT

Vido Electronic Vertriebsgesellschaft mbH, Triester Strasse 261, 1230 Vienna, Austria
sales@vido-europe.com www.vido.at