

IRC73HD and IRC75HD

Full-HD Network Bullet Camera with IR



ONVIF

IP
66

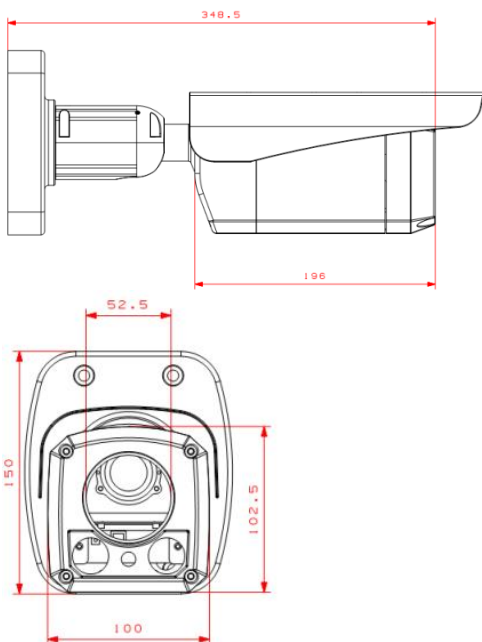
Full
HD

12x
Dig

Features

- 1/2.8 inch Exmor® Sensor with 2 Mp
- Full-HD Video with 1080p/30fps on H.264 Stream
- 20x, 30x Optical / 12x Digital Zoom
- Digital zoom, WDR and DNR
- 40 meters IR Illumination Range
- Dual Power with PoE or DC
- IP67 Weather Protection

Dimensions (mm)



Technical Specifications

MODEL	IRC73HD & IRC75HD
CAMERA CHARACTERISTICS	
Camera Module	IRC75HD: Sony FCB EH7500, 1/2.8 type, 30x Opt, f=4.3 mm (wide) to 129.0 mm (tele), F1.6 to F4.7, 1080p, image stabilisation, Auto ICR, 0.5 lx (F1.6, ICR off) 0.095 lx (F1.6, ICR on) IRC73HD: Sony FCB EH7310, 1/2.8 type, 20x Opt, f=4.7 mm (wide) to 94.0 mm (tele), F1.6 to F3.5, 1080p, Auto ICR, 0.4 lx (F1.6, ICR off) 0.01 lx (F1.6, ICR on) 1/ 2.8 inch Exmor® Sensor, Progressive Scan, Approx. 3.27MP Minimum Illumination: 1.7 lx (F1.6, ICR off) 0.3 lx (F1.6, ICR on) * All modules are 12x digital zoom
Resolution	Max 1080p/30fps
Gain control	Auto/Manual (-3 dB to +28 dB, 16 steps), Max. Gain Limit (6 dB to 28 dB, 12 steps)
Focus	Auto/Manual
White Balance	Auto/Manual(ATW,Indoor,Outdoor,Auto Sodium Vapor Lamp (fix/auto), One Push, Manual)
Wide Dynamic Range	Auto/Manual (ON/OFF)
Video Enhancement	AGC, BLC, AE/ALC, WB, Eletr.-Flip, Mirror, DNR, Slow-shutter, Colour Enhancement, WDR, High Sensitivity Mode
Privacy Masking	up to max. 8 Mask
Shutter Speed	1/1 to 1/10000 sec.
Boot-up action	Preset, tours, tracks
Gain Control	Auto/Manual (-3 dB to +28 dB, 16 steps) Max. Gain Limit (6 dB to 28 dB, 12 steps)
IP CHARACTERISTICS	
Video Stream	H.264 Compression
Frame Rate	Max. 30fps@1080p and Max 60fps@720p
Bitrate	64Kbit/s to 10 Mbit/s
Network Interface	Static IP,DHCP, PPPoE, DDNS client
Protocol	TCP ,UDP ,IP ,HTTP ,DHCP, PPPoE, RTP, RTSP, ToS, DNS, DDnS, SNTP/NTP
Streaming	TCP, Multicast, RTP over UDP or/and Multicast
Access	Web Browser, NVR Software
Image Correction	Brightness, Saturation, Contrast
User Admin	Root level and up to 10 Users
Network Protocol	Video Interface Protocol, ONVIF
CONNECTION INTERFACE	
Network	RJ45 10/100Mbit/s T-Base
Audio & Alarm I/O	1x Input, 1x Output
Storage	Micro SDHC Slot, support up to 32GB
CONSTRUCTION	
IR Illuminator	Built-in 2x Ø17mm IR LED up to 40m ,Angle: 30°
Operating Temperature range	-20°C to 65°C , 95% Humidity
Weather Protection	Aluminium Alloy, IP67 Protection
Power	12V DC/ High-Power PoE max. 30W with Heater & Blower

Specifications may be subject to changes without notice

Vido Network Technology GmbH
Triester Straße 261,
A-1230 Vienna, Austria

Tel: 43-1-958269820
Fax 43-1-958269827
E-Mail: sales@vido-europe.com
www.vido-europe.com

VIDO.AT[®]
AUSTRIA