

# G55IR – SD, HD Network, HD-SDI

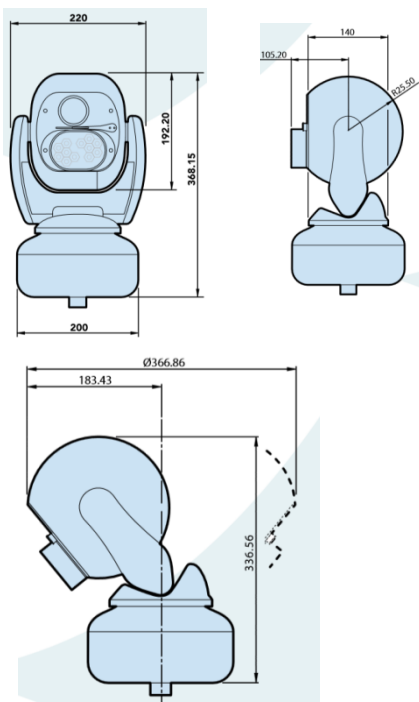
## Vandal-proof IP67 PTZ Camera with Optical and Thermal Module



### Features

- SD video with 10x, 18x, 28x, 36x and 40x optical zoom options
- HD video with 20x and 30x optical zoom options
- Ruggedized for extreme environments
- Day/night operation
- Optical encoders for accurate positioning and repeatability
- Optional heater for reliable operation down to -40°C
- Flat, toughened glass window
- Protected to IP67 (IP68 option)
- 316L stainless steel option
- Built-in camera lens wiper
- Presets, tours and privacy masking
- Multiple control protocols

### Dimensions (mm)



### Technical Specifications

OPTICAL SPECIFICATIONS		
Image Sensor	SD Video	HD Video
	18x – 4.1–73.8mm, 48°-2.8°, 0.01lux 28x – 3.5–98mm, 55.8°-2.1°, 0.005lux 36x – 3.4–122.4mm, 58°-1.7°, 0.01lux 40x – 3.06–122.4mm (670TVL), 60°-1.6°, 0.01lux	20x – 4.7 – 94mm. 55.2° - 2.9°, 1.6lux - NETWORK 30x – 4.3 – 129mm, 54.1° -0 2.9°, 1.7lux – HD-SDI
	*12x Digital zoom on all series	*12x Digital zoom on all series
MECHANICAL SPECIFICATIONS		
Construction	Die-cast hard anodised, powder coated aluminium with A4 stainless fittings	
Turning Diameter	Normal 220mm	Offset 370mm
Height	370mm	340mm
Height with adapter	500mm	470mm
Pan rotation limit / speed	360° continuous / 180° per second (excluding ramping)	
Tilt rotation limit / speed	+90° to -30° upright (-68° inclined) +30° to 90° inverted 180° per second (excluding ramping)	
Weight (with adapter)	7Kg (8Kg)	
Mounting	Upright or inverted	
Pan/tilt bearings	Sealed for life – no maintenance required	
Motor drive	Long life toothed polypropylene belt drive Pulleys bonded to keypad shafts for minimum backlash	
Environmental rating	IP67	
Operating temperature range	-20°C to + 50°C (-40°C to +50°C with optional heater)	
Supplied mounting	4" PCD mount	
Connection Lead	IP67 Neptune multi-way connector with 10m composite lead	
LED ILLUMINATION ANGLES AND RANGES		
Angle & Range	IR – 30°, 120m White – 30° 120m IR/White – 30°, 80m	
ELECTRICAL, ELECTRONIC AND SOFTWARE SPECIFICATIONS		
Optical encoder preset accuracy	0.01°	
Rotational contacts	Heavy duty slip rings for power, data, video, switching for washer	
Position control	Capable of retaining position without drift, Automatic position recovery if forced away by a "non-control" intervention	
Roll around mode	Auto 180° pan spin when tilt reaches end of travel while following subjects	
Configuration	Via on screen menus	
Presets	127 + wash preset (repeatability 0.05°)	
Tours	16 preset tours (maximum of 60 positions each), four 8 minute mimic tours	
Privacy Zones	Maximum of eight on-screen simultaneously	
Communications	Coaxial or RS485 half duplex data comms with absolute positioning output	
Supported protocols	Pelco-D, Pelco-P, CBC OCP485, Forward Vision Mic1 FV300, Philips, Vicon	
Power requirements	At Oculus unit: 14 to 36VDC or 14 to 26VAC, 45W peak (100W with optional heater) Supplied PSU requires 230VAC. 12VDC support on some models	
Additional details	In-built real-time clock	

Specifications may be subject to changes without notice

**Vido Electronic Vertriebs GmbH**  
Triester Straße 261,  
A-1230 Vienna, Austria

Tel: 43-1-958269820  
Fax 43-1-958269827  
E-Mail: sales@vido-europe.com  
www.vido.at

**VIDO.AT**®  
AUSTRIA