

G25IR12 Series

Analogue IR Mini speed dome



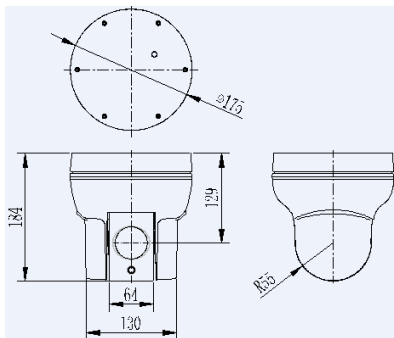
Indoor

Outdoor

Features

- Intelligent IR mini speed dome, designed to live-monitor urban facilities, such as airport, Square, schools, bank, residential communities and etc
- Wall/Corner/Pole/ceiling mount installation

Dimensions (mm)



Technical Specifications

MODEL	G25IR12
SPECIFICATIONS	
Camera spec	Samsung12x, Day/night, 560TVL,0.36/0.001lux, 12 masking zones. f=3.6-44.3mm, F1.6 (wide)/F2.0(Tele)
Manual speed	Pan 0.4°~240°Tilt 0.4°~120°
Preset speed	Pan 240°/s,Tilt 120°/s
Rotation	Pan 360°continuously;Tilt 105°(-90°~+15°)with auto-flip
preset	128,Title can be set
Auto-flip	Tilt down 90°, with auto-flip 180°
Auto scan	355°programmable,4 scan
Display	8,with title
Sync model	Internal
Decoder	Built-in
Video output interface	Female BNC
Communication	Rs485
Baud rate	1~254
ID Range	1~254
Temperature	-30°C ~ +50°C
Protection grade	IP56 (Indoor), IP66 (Outdoor) TVS4000V lightning-proof, surge-proof, wave-proof, all-day defend cover
Humidity	0~95% (non-condensation)
Dimension	184mm * F178
Gross weight	3.5Kg
IR	Clear Night-vision distance of IR LED light more than 50M,IR LED Consumption 12W, Angle 6°- 48°
Other Features	Humanized design, novel structure, easy for installation and maintenance. Built-in OSD menu Real time function, preset, scan etc action runs based on time sections pre-setting by OSD menu. Fan enable function, through pre-setting the temperature to start-up the fan. Park action function, can auto-call presets or start-up tour, pattern and scan after dome idle for a period of time Real-time pan/tilt co-ordinate value and zoom value display Adopt IP56 all-weather defend cover, built-in constant temperature device

Specifications may be subject to changes without notice