

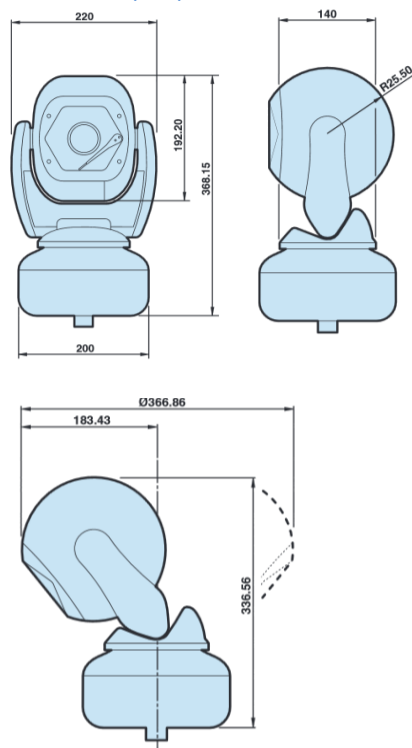
Vandal-proof IP67 Outdoor High Resolution PTZ Camera



Features

- 1/4 inch Ex-View CCD Colour Sensor
- High Resolution up to 550 TVL
- Interlace and Progressive Scan selectable
- Built-in ICR Filter for Day/Night Mode
- Electric Image Stabilization
- Auto Wide-Dynamic
- Colour Enhancement
- Intelligent Temperature Control
- IP67 Weather- and Vandal-proof
- Multi-protocol communication through RS-485 Protocol

Dimensions (mm)



Technical Specifications

Model	G55
CAMERA CHARACTERISTICS	
Optics	<p>G55WB18EWD: Sony FCB 490EP, 18x Opt, f=4.1mm (wide) - 73.8mm(tele) 48.0° - 2.8°, Day:0.7Lux(1/50), 0.1Lux(1/3) Night:0.01Lux(1/3), Shutter Speed: 1 to 1/10,000 Sec</p> <p>G55WB28EWD: Sony FCB 995EP, 28x Opt f=3.5mm (wide) - 98.0(tele) 55.8° - 2.1° Day:0.65Lux(1/50), 0.04Lux(1/3) Night:0.005Lux(1/3), with Image stabiliser Shutter Speed: 1 to 1/10,000 Sec, Stable zoom upto 32x</p> <p>G55WB36EWD: Sony FCB 1020P, 36x Opt f=3.4mm(wide) - 122.4mm(tele) 57.8° - 1.7° Day:1.4Lux(1/50), 0.1Lux(1/3) Night:0.01Lux(1/3), with Image stabiliser Shutter Speed: 1/3 to 1/10,000 Sec, Stable zoom upto 40x</p> <p>* All models are equipped with 12x digital zoom</p>
Signal Format	PAL/NTSC
Scanning	2:1 Interlace (IS) / Progressive Scan (PS)
Image Sensor	1/4 inch Ex-View HAD CCD
Resolution	550TVL, 560TVL (1020P), Effective Pixels: 752(H) x 582(V) – 440000 pixel
Features	Autp/Manual Focus, Auto/Manual WDR, Auto/Manual White Balance (ATW, Indoor, Outdoor, Auto Sodium Vapour Lamp (fix/auto), One Push, Manual), Picture effect (E-Flip, Nega Art, BLC, Mirror Image, DNR, Colour Enhancement)
Iris control	Auto/Manual/Auto Slow Shutter
Privacy Masking	Max. upto 24 masks
Gain control	Auto/Manual(-3 to 28 dB, 2 dB steps, 16steps)
Slow Auto Exposure mode	up to 2 min
PTZ CHARACTERISTICS	
PTZ Range	Pan: 0~360°/ 0.006°~200°per Sec. Tilt: 0~290°/ 0.006°~200° per Sec.
Preset memory	128 positions
Pattern Track	32 Presets with Wash position, 16x Tour, 4x Pattern
Absolute Positioning	Yes
Idle protection	0 to 240 sec
Boot-up action	Preset, tours, tracks
CONNECTION INTERFACE & PROPERTIES	
Communication	RS-485, multiple-protocol, coax
Alarm inputs	64 with optional external alarm card
Operating Temperature range	-20°C ~ 50°C (optional heater and blower for -40C to +60C)
Weather Protection	IP67, Humidity 95%
Construction	Die-Cast hard anodised, powder coated aluminium, with A4 stainless fittings
Dimension	368 x 220 mm
Power	12 to 24V AC or DC/ 50 VA

Specifications may be subject to changes without notice