

G25IR30-SDI

HD-SDI speed dome



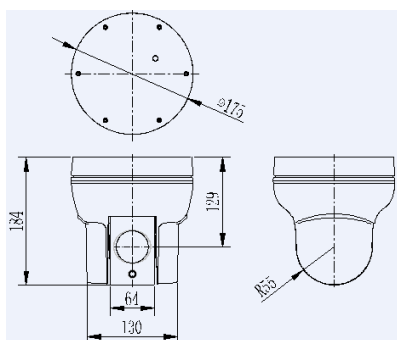
Indoor

Outdoor

Features

- Real Time FULL HD Video
- Intelligent HD-SDI speed dome, designed to live-monitor urban facilities, such as airport, Square, schools, bank, residential communities and etc
- Wall mount installation

Dimensions (mm)



Technical Specifications

MODEL	G25IR30-SDI
SPECIFICATIONS	
Camera spec	30x zoom, Day/ Night, Full HD, 3.5mm(WIDE) - 105mm(TELE), 1/2.8 Type CMOS Sensor, Full HD, 1080p 60/50/30/25FPS, 1080p 60/50FPS, 720p 50/60 FPS
Manual speed	Pan 0.4°~240°Tilt 0.4°~120°
Preset speed	Pan 240°/s,Tilt 120°/s
Rotation	Pan 360°continuously;Tilt 105°(-90°~+15°)with auto-flip
Synchronisation	Internal
Communication speed	9600bps
Communication Interface	RS485
Control Protocol	Multi protocol, PelcoD, PelcoP
Focus	Auto7 Manual
Video Output	HD-SDI
Video format	1080P60/50/30/25,1080i60/50,720P50/60
White Balance	Auto/ Manual
Electronic Shutter	1/60-1/10000
Video Functions	BLC, WDR, Digital Noise reduction, IR Cut, Mirror image, Image inversion,
Sharpness Setting	0-15 grades
Operating Temperature	-10°C ~ 50°C
Colour Gain	60% to 200%
Protection grade	IP56 (Indoor), IP66 (Outdoor) TVS4000V lightning-proof, surge-proof, wave-proof, all-day defend cover
Humidity	0~95% (non-condensation)
Dimension	184mm*F178
Gross weight	3.5Kg
Power	DC12V
IR	Clear Night-vision distance of IR LED light more than 50M,IR LED Consumption 12W, Angle 6°- 48°

Accessories



AU-KB3N
multi-point,
3 Axis controller



SDF-T01/SDF-R01
HD-SDI Optical
Fiber-Transmitter



SDR-01
HD-SDI Repeater



SDH-T01/SDH-R01
HDMI/HD-SDI Converter

Specifications may be subject to changes without notice